
















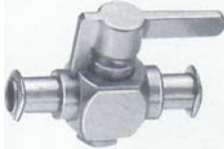
























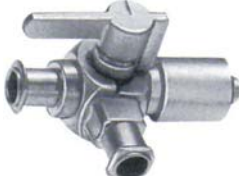
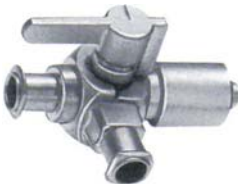


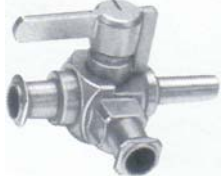
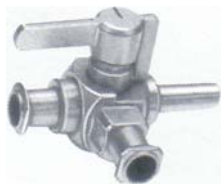
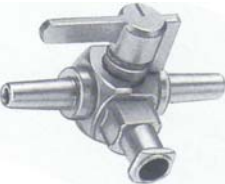
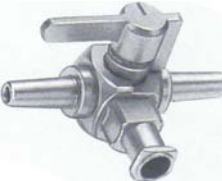




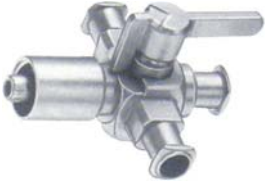


















<p>Hexagonal nut thread m 8 for No.3260-000 / 3260-001 3265-000 / 3265-002</p>  <p>MM-06-3266-00</p>	<p>Three way check valve male LUER LOCK / female LUER LOCK with thread</p>  <p>MM-06-3280-000</p>	<p>Three way check valve 2 x hose end Ø 7 mm</p>  <p>MM-06-3285-000</p>
<p>Three way check valve male LUER LOCK / female LUER LOCK with thread / lateral hose Ø 4 mm</p>  <p>MM-06-3290-000</p>	<p>Spring screw cap</p>  <p>MM-06-5000-100</p>	<p>Three way stopcock 3 x hose end Ø 6 mm</p>  <p>MM-06-5150-000</p>
<p>Three way stopcock female LUER LOCK / 2 x hose end Ø 6 mm</p>  <p>MM-06-5180-000</p>	<p>Three way stopcock 3 x female LUER LOCK</p>  <p>MM-06-5190-000</p>	<p>Three way stopcock female LUER LOCK / 2 x male LUER LOCK with spring screw cap No. 5000-100</p>  <p>MM-06-5210-003</p>
<p>Three way stopcock 2 x female LUER LOCK / male LUER LOCK with spring screw cap No. 5000-100</p>  <p>MM-06-5220-003</p>	<p>One way stopcock male LUER LOCK / female LUER LOCK</p>  <p>MM-06-5500-000</p>	<p>One way stopcock male LUER LOCK / female LUER LOCK with spring screw cap No. 5000-100</p>  <p>MM-06-5500-003</p>
<p>One way stopcock male LUER LOCK / female LUER LOCK, with thread with spring screw cap No. 5000-100</p>  <p>MM-06-5500-103</p>	<p>One way stopcock male LUER LOCK / female LUER LOCK</p>  <p>MM-06-5510-000</p>	<p>One way stopcock male LUER LOCK / female LUER LOCK with spring screw cap No. 5000-100</p>  <p>MM-06-5510-003</p>
<p>One way stopcock male LUER LOCK / female LUER LOCK with thread with spring screw cap No. 5000-100</p>  <p>MM-06-5510-103</p>	<p>One way stopcock male LUER LOCK / male LUER LOCK with spring screw cap No. 5000-100</p>  <p>MM-06-5520-003</p>	<p>One way stopcock female LUER LOCK / fe male LUER LOCK</p>  <p>MM-06-5530-000</p>

<p>One way stopcocks female LUER LOCK / female LUER LOCK with spring screw cap No.MM-06-5000-100</p>  <p>MM-06-5530-003</p>	<p>One way stopcocks female LUER LOCK / hose end Ø 5 mm thread m 6 x 0.5 x 6 mm long, with hexagonal nut with spring screw cap No.MM-06-5000-100 for assemble into decices</p>  <p>MM-06-5534-003</p>	<p>One way stopcocks male LUER LOCK / hose end Ø 5 mm thread m 6 x 0.5 x 6 mm long, with hexagonal nut with spring screw cap No.MM-06-5000-100 for assemble into decices</p>  <p>MM-06-5535-003</p>
<p>One way stopcocks female LUER LOCK / thread M 5 x 5 mm long</p>  <p>MM-06-5536-000</p>	<p>One way stopcocks female LUER LOCK / thread M 5 x 5 mm long with spring screw cap No.MM-06-5000-100</p>  <p>MM-06-5536-003</p>	<p>One way stopcocks 2 x hose end Ø 6 mm with spring screw cap No.MM-06-5000-100</p>  <p>MM-06-5540-063</p>
<p>One way stopcocks 2 x hose end Ø 6 mm / lumen Ø 4 mm with spring screw cap No.MM-06-5000-100</p>  <p>MM-06-5540-083</p>	<p>One way stopcocks male LUER 2 x hose end Ø 6 mm with spring screw cap No.MM-06-5000-100</p>  <p>MM-06-5542-063</p>	<p>One way stopcocks male LUER 2 x hose end Ø 8 mm with spring screw cap No.MM-06-5000-100</p>  <p>MM-06-5542-080</p>
<p>One way stopcocks male LUER LUCK hose end Ø 6 mm</p>  <p>MM-06-5545-060</p>	<p>One way stopcocks male LUER LUCK hose end Ø 6 mm with spring screw cap No.MM-06-5000-100</p>  <p>MM-06-5545-063</p>	<p>One way stopcocks male LUER LUCK hose end Ø 8 mm</p>  <p>MM-06-5545-080</p>
<p>One way stopcocks male LUER LUCK LARGE hose end Ø 8 mm with spring screw cap No.MM-06-5000-100</p>  <p>MM-06-5545-083</p>	<p>One way stopcocks male LUER LUCK LARGE hose end Ø 8 mm with spring screw cap No.MM-06-5000-100</p>  <p>MM-06-5545-085</p>	<p>One way stopcocks female LUER LUCK hose end Ø 6 mm</p>  <p>MM-06-5547-060</p>
<p>One way stopcocks female LUER LUCK hose end Ø 6 mm with spring screw cap No.MM-06-5000-100</p>  <p>MM-06-5547-063</p>	<p>One way stopcocks female LUER LUCK hose end Ø 8 mm</p>  <p>MM-06-5547-080</p>	<p>One way stopcocks male LUER LUCK, hose end Ø 8 mm with spring screw cap No.MM-06-5000-100</p>  <p>MM-06-5547-083</p>

<p>One way stopcocks female LUER LOCK LARGE / hose end Ø 8 mm with spring screw cap No. MM-06-5000-100</p>  <p>MM-06-5547-086</p>	<p>One way stopcocks LEFT HAND female LUER LOCK / hose end Ø 2 mm</p>  <p>MM-06-5550-020</p>	<p>One way stopcocks female LUER LOCK / hose end Ø 2 mm with spring screw cap No. MM-06-5000-100</p>  <p>MM-06-5550-023</p>
<p>Three way stopcocks LEFT HAND male LUER LOCK / 2 x Female LUER LOCK</p>  <p>MM-06-5560-000</p>	<p>Three way stopcocks LEFT HAND male LUER LOCK / 2 x Female LUER LOCK with spring screw cap No. MM-06-5000-100</p>  <p>MM-06-5560-003</p>	<p>Three way stopcocks LEFT HAND with thread male LUER LOCK / 2 x Female LUER LOCK with spring screw cap No. MM-06-5000-100</p>  <p>MM-06-5560-103</p>
<p>Three way stopcocks right HAND male LUER LOCK / 2 x Female LUER LOCK</p>  <p>MM-06-5562-000</p>	<p>Three way stopcocks right HAND male LUER LOCK / 2 x Female LUER LOCK with spring screw cap No. MM-06-5000-100</p>  <p>MM-06-5562-003</p>	<p>Three way stopcocks right HAND with thread male LUER LOCK / 2 x Female LUER LOCK with spring screw cap No. MM-06-5000-100</p>  <p>MM-06-5562-103</p>
<p>Three way stopcocks 2 x male LUER LOCK / lateral female LUER LOCK with spring screw cap No. MM-06-5000-100</p>  <p>MM-06-5570-003</p>	<p>Three way stopcock RIGHT HAND male LUER LOCK / 2 x Female LUER LOCK</p>  <p>MM-06-5580-000</p>	<p>Three way stopcocks RIGHT HAND male LUER LOCK / 2 x female LUER LOCK with spring screw cap No. MM-06-5000-100</p>  <p>MM-06-5580-003</p>
<p>Three way stopcocks RIGHT HAND 2 x male LUER LOCK / lateral female LUER LOCK</p>  <p>MM-06-5585-000</p>	<p>Three way stopcocks RIGHT HAND 2 x male LUER LOCK / lateral female LUER LOCK with spring screw cap No. MM-06-5000-100</p>  <p>MM-06-5585-003</p>	<p>Three way stopcock RIGHT HAND 3 x female LUER LOCK</p>  <p>MM-06-5590-000</p>
<p>Three way stopcocks RIGHT HAND 3 x female LUER LOCK with spring screw cap No. MM-06-5000-100</p>  <p>MM-06-5590-003</p>	<p>Three way stopcocks RIGHT HAND male LUER LOCK / female LUER LOCK lateral hose end Ø 3.5 mm</p>  <p>MM-06-5600-000</p>	<p>Three way stopcocks RIGHT HAND male LUER LOCK / female LUER LOCK lateral hose end Ø 3.5 mm with spring screw cap No. MM-06-5000-100</p>  <p>MM-06-5600-003</p>

<p>Four way stopcocks male LUER LOCK / 3 x female LUER LOCK with spring screw cap No. MM-06-5000-100</p>  <p>MM-06-5650-003</p>	<p>Replacement caps for catheter stopcock and adater PE 60, 100, 160 / drillhole Ø 1.7 mm</p>  <p>MM-06-5680-000</p>	<p>R replacement caps for catheter stopcock and adater PE 205 / drillhole Ø 2.2 mm</p>  <p>MM-06-5680-010</p>
<p>Replacement caps for catheter stopcock and adater size 1 / drillhole Ø 2.5 mm</p>  <p>MM-06-5680-020</p>	<p>Replacement caps for catheter stopcock and adater size 1 / drillhole Ø 2.7 mm</p>  <p>MM-06-5680-030</p>	<p>Replacement caps for catheter stopcock and adater size 3 / drillhole Ø 3.1 mm</p>  <p>MM-06-5680-040</p>
<p>Catheter stopcocks Female LUER LOCK, for catheter PE 60, 100, 160 / drillhole 1.2 mm</p>  <p>MM-06-5685-000</p>	<p>Catheter stopcocks Female LUER LOCK, for catheter PE 60, 100, 160 / drillhole 1.2 mm with spring c'screw cap No. MM-06-5000-100</p>  <p>MM-06-5685-003</p>	<p>Catheter stopcocks Female LUER LOCK, for catheter PE 205 / drillhole 1.5 mm</p>  <p>MM-06-5685-010</p>
<p>Catheter stopcocks Female LUER LOCK, for catheter PE 205 / drillhole 1.5 mm with spring c'screw cap No. MM-06-5000-100</p>  <p>MM-06-5685-013</p>	<p>Catheter stopcocks Female LUER LOCK, for red OEDMANN catheter / size 1 / drillhole 1.5 mm</p>  <p>MM-06-5685-020</p>	<p>Catheter stopcocks Female LUER LOCK, for red OEDMANN catheter / size 1 / drillhole 1.5 mm with spring screw cap No.MM-06-5000-100</p>  <p>MM-06-5685-023</p>
<p>Catheter stopcocks Female LUER LOCK, for green OEDMANN catheter size 2 / drillhole 1.5 mm</p>  <p>MM-06-5685-030</p>	<p>Catheter stopcocks Female LUER LOCK, for green OEDMANN catheter / size 2 / drillhole 1.5 mm with spring screw cap No.MM-06-5000-100</p>  <p>MM-06-5685-033</p>	<p>Catheter stopcocks Female LUER LOCK, for yellow and grey OEDMANN catheter / size 3-4 / drillhole 1.9 mm</p>  <p>MM-06-5685-040</p>
<p>Catheter stopcocks Female LUER LOCK, for yellow andgrey OEDMANN catheter / size 3-4 / drillhole 1.9 mm with spring screw cap No.MM-06-5000-100</p>  <p>MM-06-5685-043</p>	<p>Rotating adapter male LUER LOCK / female LUER LOCK</p>  <p>MM-06-5690-000</p>	<p>Replacement O Ring male LUER LOCK / female LUER LOCK</p> <p>MM-06-5690-150</p>

One way stopcocks
male LUER LOCK, rotating / 2 x female LUER LOCK
with spring screw cap No. MM-06-5000-100



MM-06-5692-003

One way stopcocks
LEFT HAND
male LUER LOCK, rotating / 2 x female LUER LOCK



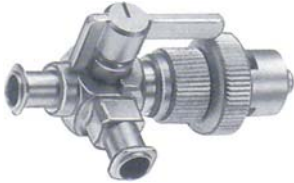
MM-06-5695-000

One way stopcocks
LEFT HAND
male LUER LOCK, rotating / 2 x female LUER LOCK
with spring screw cap No. MM-06-5000-100



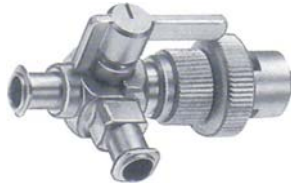
MM-06-5695-003

One way stopcocks
RIGHT HAND
male LUER LOCK, rotating / 2 x female LUER LOCK



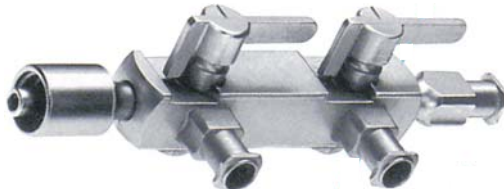
MM-06-5696-000

One way stopcocks
RIGHT HAND
male LUER LOCK, rotating / 2 x female LUER LOCK
with spring screw cap No. MM-06-5000-100



MM-06-5696-003

Manifold
LEFT HAND
male LUER LOCK / 3 x female LUER LOCK
with spring screw cap No. MM-06-5-5000-100



MM-06-5700-003

Manifold
RIGHT HAND
male LUER LOCK / 3 x female LUER LOCK
with spring screw cap No. MM-06-5-5000-100



MM-06-5701-003

Manifold
LEFT HAND
male LUER LOCK / 3 x female LUER LOCK
with spring screw cap No. MM-06-5-5000-100



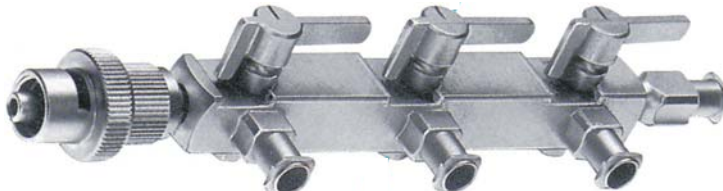
MM-06-5705-003

Manifold
RIGHT HAND
male LUER LOCK / 3 x female LUER LOCK
with spring screw cap No. MM-06-5-5000-100



MM-06-5706-003

Manifold
LEFT HAND
male LUER LOCK / 3 x female LUER LOCK
with spring screw cap No. MM-06-5-5000-100













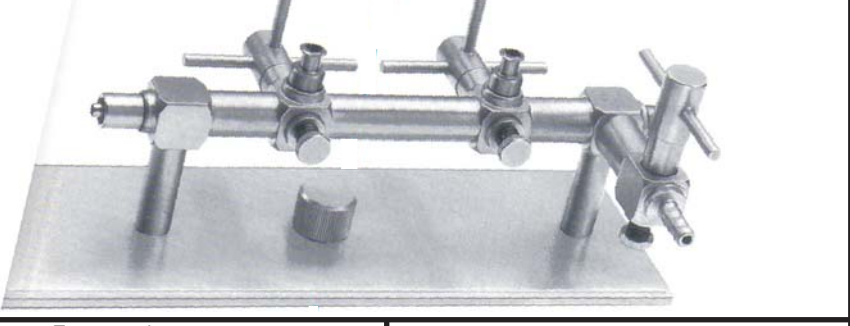

















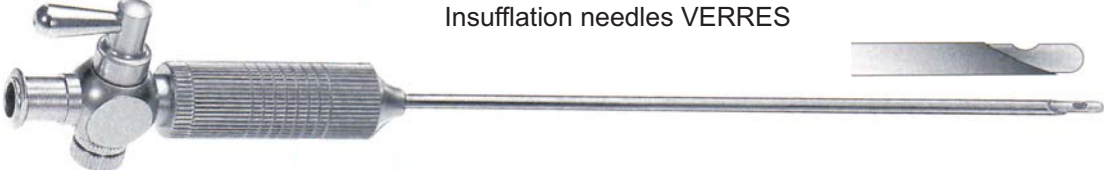

MM-06-57010-003

Manifold
RIGHT HAND
male LUER LOCK / 3 x female LUER LOCK
with spring screw cap No. MM-06-5-5000-100



MM-06-5711-003

<p>Catheter stopcock male LUER LOCK / THOUHY BORST adapter /30° lateral stopcock with female LUER LOCK with spring screw cap No. MM-06-5000-100</p>  <p>MM-06-5730-003</p>	<p>Catheter stopcock male LUER LOCK rotating / THOUHY BORST adapter / 30° lateral stopcock with female LUER LOCK with spring screw cap No. MM-06-5000-100</p>  <p>MM-06-5735-003</p>	<p>Replacement rubber Gaske for THOUHY Borst adapter</p>  <p>MM-06-5730-130</p>	
<p>Replacement gland for THOUHY Borst adapter</p>  <p>MM-06-5730-140</p>	<p>Replacement Piston cap for THOUHY Borst adapter</p>  <p>MM-06-5730-150</p>	<p>Y stopcock connector 2 x stopcocks with male LUER LOCK / female LUER LOCK with spring screw cap No. 5000-100</p>  <p>MM-06-5740-003</p>	
<p>HIGH pressure stopcock male LUER LOCK / female LUER LOCK with thread / solid in pressure up to approx. 20 bar</p>  <p>MM-06-5820-000</p>	<p>Three way HIGH pressure stopcock male LUER LOCK / lateral female LUER LOCK with thread / solid in pressure up to approx. 20 bar</p>  <p>MM-06-5840-000</p>	<p>Three way HIGH pressure stopcock STAINLESS STEEL male LUER LOCK / lateral female LUER LOCK acid resistant with spring screw cap MM-06-5000-100</p>  <p>MM-06-5860-003</p>	
<p>Three way HIGH pressure stopcock STAINLESS STEEL RIGHT HAND male LUER LOCK / female LUER LOCK rost- and acid resistant with spring screw cap MM-06-5000-100</p>  <p>MM-06-5880-003</p>	<p>Three way HIGH pressure stopcock STAINLESS STEEL RIGHT HAND male LUER LOCK / female LUER LOCK rost- and acid resistant with spring screw cap MM-06-5000-100</p>  <p>MM-06-5885-003</p>	<p>One way stopcock with PTFE Teflon® plug, male LUER LOCK / female LUER LOCK after cleaning and sterilization, the stopcock does self greasing. The stopcock must always be dismantled before cleaning and sterilization</p>  <p>MM-06-5919-003</p>	
<p>Stopcock unit Consisting of 2 x three way stopcocks / 1 x one way stopcock 1 x male LUER LOCK / 3 x female LUER LOCK / 1 x hose end Ø 6 mm stopcocks can be dismantled / stopcocks mounted on base plate size 200 x 65 mm</p>			 <p>MM-06-5900-000</p>
<p>Trumpet valve female LUER LOCK thread m 5 x 5.5x 4 mm long</p>  <p>MM-06-6050-000</p>	<p>Trumpet valve female LUER LOCK thread m 5 x 5.5x 4 mm long solid in pressure up to approx. 20 bar</p>  <p>MM-06-6056-000</p>	<p>Three way stopcock 3 x hose end Ø 2 mm</p>  <p>MM-06-6060-000</p>	

<p>Trumpet valve LARGE female LUER LOCK / thread M 5 x 0.5 x 4 mm long</p>  <p>MM-06-6080-000</p>	<p>Stopcocks LEFT HAND female LUER LOCK / thread m 6 x 0.5 x 2.5 mm long / drillhole Ø 3.5 mm</p>  <p>MM-06-7000-003</p>	<p>Stopcocks RIGHT HAND female LUER LOCK / thread m 6 x 0.5 x 2.5 mm long / drillhole Ø 3.5 mm</p>  <p>MM-06-7005-003</p>
<p>Stopcocks LEFT HAND female LUER LOCK / thread m 5 x 0.5 x 2.5 mm long / drillhole Ø 3 mm</p>  <p>MM-06-7010-003</p>	<p>Stopcocks RIGHT HAND female LUER LOCK / thread m 5 x 0.5 x 2.5 mm long / drillhole Ø 3 mm</p>  <p>MM-06-7015-003</p>	<p>Stopcocks LEFT HAND female LUER LOCK / thread m 4 x 0.5 x 2.5 mm long / drillhole Ø 2.5 mm</p>  <p>MM-06-7020-003</p>
<p>Stopcocks RIGHT HAND female LUER LOCK / thread m 4 x 0.5 x 2.5 mm long / drillhole Ø 2.5 mm</p>  <p>MM-06-7025-003</p>	<p>Stopcocks LEFT HAND female LUER LOCK / thread m 4 x 0.5 x 2.5 mm long / drillhole Ø 2 mm</p>  <p>MM-06-7030-003</p>	<p>Stopcocks RIGHT HAND female LUER LOCK / thread m 4 x 0.5 x 2.5 mm long / drillhole Ø 2 mm</p>  <p>MM-06-7035-003</p>
<p>Stopcocks LEFT HAND female LUER LOCK / with hose end Ø 8 mm and thread m 5 x 0.5 x 2.5 mm long</p>  <p>MM-06-7070-003</p>	<p>Stopcocks RIGHT HAND female LUER LOCK / with hose end Ø 8 mm and thread m 5 x 0.5 x 2.5 mm long</p>  <p>MM-06-7075-003</p>	<p>Stopcocks LEFT HAND LUER LOCK, rotating / female LUER LOCK</p>  <p>MM-06-7090-003</p>
<p>Insufflation needles VERRES</p>		
		
<p>MM-06-7270-008 Ø 2.1 mm / 80 mm long female LUER LOCK with stopcock</p>	<p>MM-06-7270-010 Ø 2.1 mm / 100 mm long female LUER LOCK with stopcock</p>	<p>MM-06-7270-012 Ø 2.1 mm / 120 mm long female LUER LOCK with stopcock</p>
<p>MM-06-7270-015 Ø 2.1 mm / 150 mm long female LUER LOCK with stopcock</p>	<p>MM-06-7270-017 Ø 2.1 mm / 170 mm long female LUER LOCK with stopcock</p>	<p>MM-06-7270-020 Ø 2.1 mm / 200 mm long female LUER LOCK with stopcock</p>
<p>Insufflation needles GÖTZE-SEMM</p>		
		
<p>MM-06-7275-010 Ø 2.1 mm / 100 mm long Y connector 2 x female LUER LOCK with stopcock</p>		<p>MM-06-7275-012 Ø 2.1 mm / 120 mm long Y connector 2 x female LUER LOCK with stopcock</p>